

Zone Valves

Description

The VZ Series, two way and three way zone valves have on/off operation with spring return and are designed for controlling hot or chilled water in HVAC systems. The valves are resistant to high moisture conditions and regularly exceed 200,000 cycles in our ongoing life cycle tests.

Construction features a synchronous motor, metal gear train & cover, spring loaded shaft and a manual override tab. Standard warranty is one year. CE and UL approvals.



Specifications

- 2way normally closed/normally open or 3way diverting.
- Single piece forged brass body, female NPT fitting on all ports, stainless baseplate & bearing plate.
- Heavy duty gears and spring for long lasting service.
- 110VAC and 24VAC +/-10%, 50-60hz,5Watts
- 1/2" NPT female thread
- Body rated to 2Mpa (350 psi)

How To Specify

Zone valves shall be of the spring return type with removeable heads and manual override tab. The valve bodies shall be pressure rated to 2MPa, complete with replaceable repair element to facilitate maintenance without removing the valves from the line. Two way and three way valves shall have NPT female fittings on all ports.

The actuators shall use brushless, hysteresis type motors operating through metal gears to final quadrant. The valves shall spring return on a power failure, or in the case of floating valves, fail last position.

Ordering Information

VZ - 2W 2P - DN12 - 24 - N

Code	Description
VB	Ball Valve
VG	Globe Valve
VZ	Zone Valve

Code	No. of Ports
2W	2 Way
3W	3 Way

Code	Actuator Description
2P	2 Position
FL	Floating control action
MOD	Modulating control action

Code	Size
DN12	1/2"
DN18	3/4"
DN25	1"
DN32	1-1/4"
DN40	1-1/2"
DN50	2"
DN65	2-1/2"
DN80	3"
DN100	4"
DN125	5"
DN150	6"

Code	Power
24	24VAC
110	110VAC
220	220VAC

Code	Thread
NPT	National(USA) Pipe Thread
BPT	British Pipe Thread

Example: VZ-3WFL-DN25-24-N Zone valve, 3 way with floating motor, 1 inch pipe size, 24vac, NPT

VLV-GL Globe Valve Series

Description

VLV-GL series accurately regulate the flow of water or steam in response to the demand of a controller in heating, ventilating and air conditioning systems. These valves are available in normally open, normally closed, and three-way mixing configurations. Both electric and pneumatic actuators can be used. Valves are available in 1" through 2-1/2" size.



Specifications

- Complies with ANSI Class 250 (PSIG) standard.
- Flexible ordering using the guide provided in the spec sheets.
- Every valve tested for tight shutoff assuring occupant comfort and energy conservaiton.
- Uses standard ring pack packing providing industry leading reliability and operating life.
- Complete actuator interchangeability allowing easy field retrofit or mounting using standardized mounting kits.
- All valve sizes available with brass trim for use in saturated steam applicaitons of up to 100psig.

Installation Instructions

Install Temco globe valves with the fluid passing in the direction shown on the valve body and with suitable, strainers to prevent pipe shavings and debris from entering the valve body. Preferred installation is upright, however, in high temperature installations (and where space restrictions dictate) the valve assembly should be mounted on its side, slightly above horizontal, so that the high temperatures rising from the pipe do not over heat the actuator. This will ensure maximum life expectancy and best performance while any leaking from the valve packing will run off the valve body rather than onto the operator.

Ordering Information

VZ - 2W 2P - DN12 - 24 - N

Code	Description
VB	Ball Valve
VG	Globe Valve
VZ	Zone Valve

Code	No. of Ports
2W	2 Way
3W	3 Way

Code	Actuator Description
2P	2 Position
FL	Floating control action
MOD	Modulating control action

Code	Size
DN12	1/2"
DN18	3/4"
DN25	1"
DN32	1-1/4"
DN40	1-1/2"
DN50	2"
DN65	2-1/2"
DN80	3"
DN100	4"
DN125	5"
DN150	6"

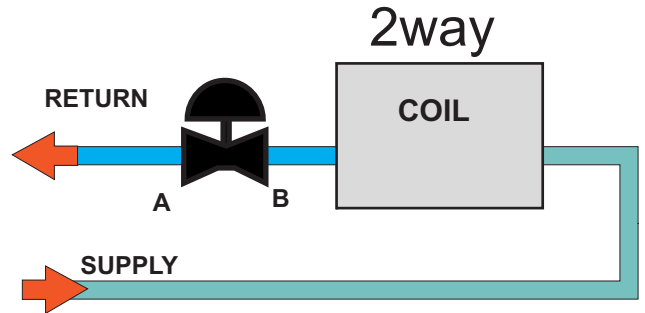
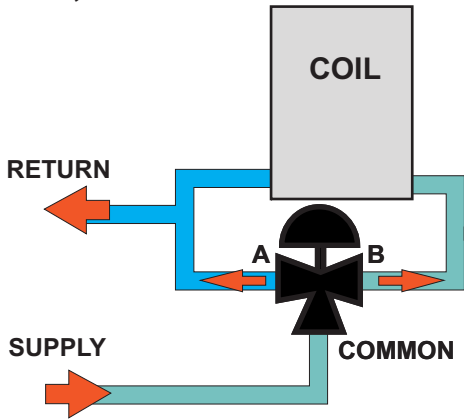
Code	Power
24	24VAC
110	110VAC
220	220VAC

Code	Thread
NPT	National(USA) Pipe Thread
BPT	British Pipe Thread

Example: VG-3WFL-DN25-24-N Globe valve, 3 way with floating motor, 1 inch pipe size, 24vac, NPT

Piping Diagram

“3WAY, COMMON SUPPLY”



“3WAY, COMMON RETURN”

