

VLV-GL Temco Globe Valve Series

Description

Temco VLV-GL series accurately regulate the flow of water or steam in response to the demand of a controller in heating, ventilating and air conditioning systems. These valves are available in normally open, normally closed, and three-way mixing configurations. Both electric and pneumatic actuators can be used. Valves are available in 1" through 2-1/2" size.



Specifications

- Complies with ANSI Class 250 (PSIG) standard.
- Flexible ordering using the guide provided in the spec sheets.
- Every valve tested for tight shutoff assuring occupant comfort and energy conservation.
- Uses standard ring pack packing providing industry leading reliability and operating life.
- complete actuator interchangeability allowing easy field retrofit or mounting using standardized mounting kits.
- All valve sizes available with brass trim for use in saturated steam applications of up to 100psig.

Installation Instructions

Install Temco globe valves with the fluid passing in the direction shown on the valve body and with suitable, strainers to prevent pipe shavings and debris from entering the valve body. Preferred installation is upright, however, in high temperature installations (and where space restrictions dictate) the valve assembly should be mounted on its side, slightly above horizontal, so that the high temperatures rising from the pipe do not over heat the actuator. This will ensure maximum life expectancy and best performance while any leaking from the valve packing will run off the valve body rather than onto the operator.

Ordering Information

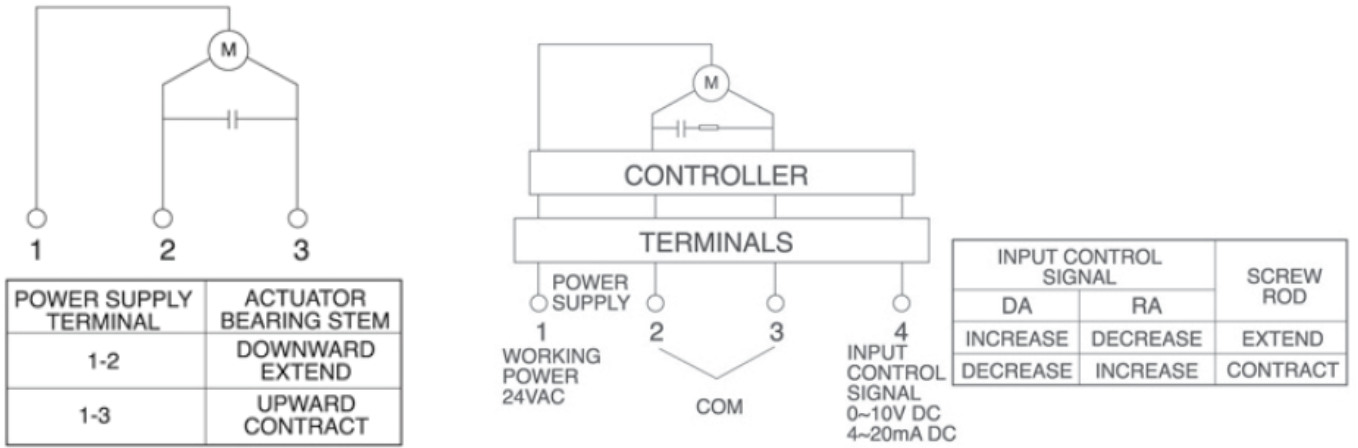
Model	Globe Valve Model Description		
VLV-GL	Globe Valve, Hot Water or Steam Applications		
	Ports	Ports Desc	
	-2W	2 Way	
	-3W	3 Way	
	Action	Actuator Desc	
	-2P	2 Position (AVAIL NOW)	
	-FL	3 Wire Floating Control (AVAIL NOW)	
	-MOD	0-10v Modulating (*AVAIL 2ND QTR 2000)	
	Size	Size Desc	Cv
	-DN25	1" (25mm)	11.6
	-DN32	1-1/4" (32mm)	18.5
	-DN40	1-1/2" (40mm)	28.9
	-DN50	2" (50mm)	46.2
	-DN65	2-1/2" (65mm)	64.0
		Volts	
		-24V	

VALVE LISTS

PART REFERENCE#	TYPE	FLOW	SIZE	PART DESCRIPTION	MANUF PART#
VLV-GL-2WFL-DN15	GLOBE	2WAY	0.5IN	GLOBE VLV,24VAC FLOAT,CV=4.7	VE21LM24-J-4.7
VLV-GL-2WFL-DN20	GLOBE	2WAY	0.75IN	GLOBE VLV,24VAC FLOAT,CV=7	VE21LM24-J-7
VLV-GL-2WFL-DN25	GLOBE	2WAY	1IN	GLOBE VLV,24VAC FLOAT,CV=11.7	VE21NM24-J-11.7
VLV-GL-2WFL-DN30	GLOBE	2WAY	1.25IN	GLOBE VLV,24VAC FLOAT,CV=18.7	VE21NM24-J-18.7
VLV-GL-2WFL-DN40	GLOBE	2WAY	1.5IN	GLOBE VLV,24VAC FLOAT,CV=29.2	VE21NM24-J-29.2
VLV-GL-2WFL-DN50	GLOBE	2WAY	2IN	GLOBE VLV,24VAC FLOAT,CV=46.7	VE21NM24-J-46.7
VLV-GL-2WFL-DN65	GLOBE	2WAY	2.5IN	GLOBE VLV,24VAC FLOAT,CV=68	VE21GM24-K-68
VLV-GL-2WFL-DN75	GLOBE	2WAY	3IN	GLOBE VLV,24VAC FLOAT,CV=89	VE21GM24-K-89
VLV-GL-2WFL-DN100	GLOBE	2WAY	4IN	GLOBE VLV,24VAC FLOAT,CV=180	VE21GM24-K-160
VLV-GL-2WFL-DN125	GLOBE	2WAY	5IN	GLOBE VLV,24VAC FLOAT,CV=260	VE246SM24-K-270
VLV-GL-2WFL-DN150	GLOBE	2WAY	6IN	GLOBE VLV,24VAC FLOAT,CV=350	VE24SM24-K-350
VLV-GL-2WFL-DN200	GLOBE	2WAY	8IN	GLOBE VLV,24VAC FLOAT,CV=680	VE246SM24-K-680
VLV-GL-2WFL-DN250	GLOBE	2WAY	10IN	GLOBE VLV,24VAC FLOAT,CV=960	VE246GM24-K-960
VLV-GL-3WFL-DN25	GLOBE	3WAY	1IN	3WGLOBE VLV,24VAC FLOAT,CV=11.7	VE31NM24-J-11.7
VLV-GL-3WFL-DN40	GLOBE	3WAY	1.5IN	3WGLOBE VLV,24VAC FLOAT,CV=29.2	VE31NM24-J-29.2
VLV-GL-3WFL-DN50	GLOBE	3WAY	2IN	3WGLOBE VLV,24VAC FLOAT,CV=46.7	VE31NM24-J-46.7
VLV-GL-3WFL-DN65	GLOBE	3WAY	2.5IN	3WGLOBE VLV,24VAC FLOAT,CV=68	VE31-SM24-K-68
VLV-GL-3WFL-DN75	GLOBE	3WAY	3IN	3WGLOBE VLV,24VAC FLOAT,CV=85	VE31GM24-K-85
VLV-GL-3WFL-DN100	GLOBE	3WAY	4IN	3WGLOBE VLV,24VAC FLOAT,CV=160	VE31GM24-K-85
VLV-GL-3WFL-DN125	GLOBE	3WAY	5IN	3WGLOBE VLV,24VAC FLOAT,CV=195	VE31GM24-K-195
VLV-GL-3WFL-DN150	GLOBE	3WAY	6IN	3WGLOBE VLV,24VAC FLOAT,CV=270	VE31GM24-K-270
VLV-GL-3WFL-DN200	GLOBE	3WAY	8IN	3WGLOBE VLV,24VAC FLOAT,CV=455	VE31GM24-K-490
VLV-ZON-2WFL-DN15	ZONE	2WAY	0.5IN	ZONE VLV,24VAC ON/OFF,CV=1.9	VE13-4430-F-1.9
VLV-ZON-2WFL-DN20	ZONE	2WAY	0.75IN	ZONE VLV,24VAC ON/OFF,CV=3	VE13-4430-F-3.0
VLV-ZON-2WFL-DN25	ZONE	2WAY	1IN	ZONE VLV,24VAC ON/OFF,CV=6.3	VE13-4430-F-6.3
VLV-ZON-2WFL-DN30	ZONE	2WAY	1.25IN	ZONE VLV,24VAC ON/OFF,CV=12.7	VE13-4430-F-12.7
VLV-ZON-2WFL-DN40	ZONE	2WAY	1.5IN	ZONE VLV,24VAC ON/OFF,CV=12.7	VE13-4430-F-12.7
VLV-BUT-2WFL-DN50	BUTTERFLY	2WAY	2IN	BUTTERFLY VLV,24VAC FLOAT,CV=110	VE2960-NM24-E-110
VLV-BUT-2WFL-DN65	BUTTERFLY	2WAY	2.5IN	BUTTERFLY VLV,24VAC FLOAT,CV=320	VE2990-NM24-E-320
VLV-BUT-2WFL-DN75	BUTTERFLY	2WAY	3IN	BUTTERFLY VLV,24VAC FLOAT,CV=500	VE2990-SM24-E-500
VLV-BUT-2WFL-DN100	BUTTERFLY	2WAY	4IN	BUTTERFLY VLV,24VAC FLOAT,CV=820	VE2990-SM-820
VLV-BUT-2WFL-DN150	BUTTERFLY	2WAY	6IN	BUTTERFLY VLV,24VAC FLOAT,CV=1900	VE2990-GM24-1900
VLV-BUT-2WFL-DN200	BUTTERFLY	2WAY	8IN	BUTTERFLY VLV,24VAC FLOAT,CV=3300	VE2990-GM24-3300
VLV-BUT-2WFL-DN250	BUTTERFLY	2WAY	10IN	BUTTERFLY VLV,24VAC FLOAT,CV=5400	VE2990-GM24-5400
VLV-BUT-3WFL-DN65	BUTTERFLY	3WAY	2.5IN	BUTTERFLY VLV,24VAC FLOAT,CV=320	VE3990-GM24-E-320
VLV-BUT-3WFL-DN75	BUTTERFLY	3WAY	3IN	BUTTERFLY VLV,24VAC FLOAT,CV=500	VE3990-GM24-E-500
VLV-BUT-3WFL-DN100	BUTTERFLY	3WAY	4IN	BUTTERFLY VLV,24VAC FLOAT,CV=820	VE3990-GM24-E-820
VLV-BUT-3WFL-DN150	BUTTERFLY	3WAY	6IN	BUTTERFLY VLV,24VAC FLOAT,CV=1900	VE3990-GM24-E-190
VLV-BUT-3WFL-DN200	BUTTERFLY	3WAY	8IN	BUTTERFLY VLV,24VAC FLOAT,CV=3300	VE3990-GM24-E-330
VLV-BUT-3WFL-DN250	BUTTERFLY	3WAY	10IN	BUTTERFLY VLV,24VAC FLOAT,CV=5400	VE3990-GM24-E-540
VLV-BUT-3WFL-DN300	BUTTERFLY	3WAY	12IN	BUTTERFLY VLV,24VAC FLOAT,CV=8000	VE3990-GM24-E-800

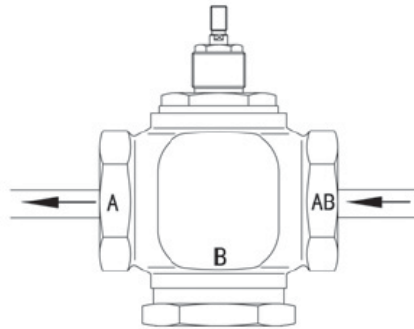
*For modulating motor, use MOD instead of FC in the Temco Reference Number, ie.
2WMOD-DN200 instead of 2WFL-DN200

Wiring Diagram



Piping Diagram

TWO-WAY VALVE



THREE-WAY VALVE

