

VM SERIES Valve Motor

APPLICATION

- Motorized valves of central air-conditioning system
- Damper actuators
- Driving actuators

CHARACTERISTICS

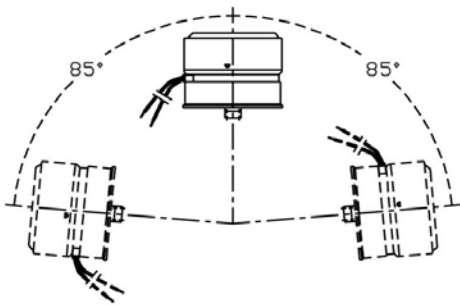
- Fully sealed water-proof design
- Built-in reducer, large torque output
- High temperature durability (Class B)
- Reliable and long life



TECHNICAL SPECIFICATIONS

Model	VM-XXX
Rated voltage	24 Vac; 110 Vac; 120Vac; 220 Vac or 230 Vac
Rated Frequency	50/60Hz
Rated power	6.5W
Rotation speed	5RPM 50Hz / 6RPM 60Hz
Insulation class	Class B (130°C)
Environmental Temperature	-25°C ~ +40°C

INSTALLATION



DIMENSIONS (mm)

